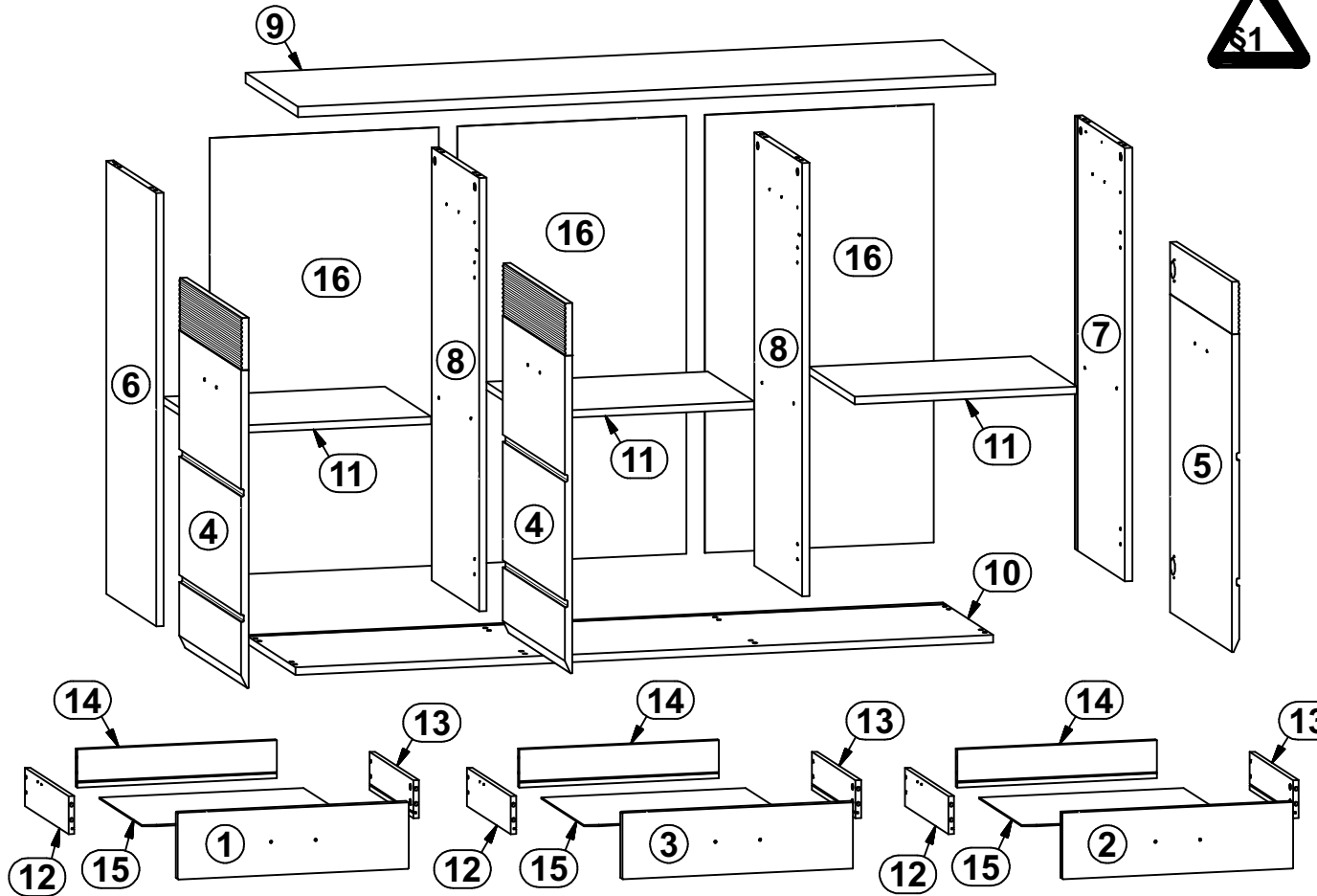
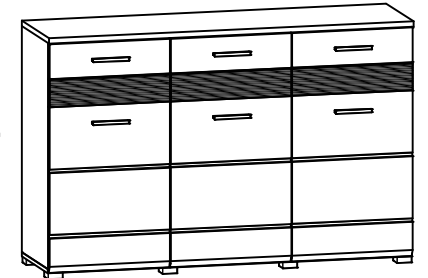


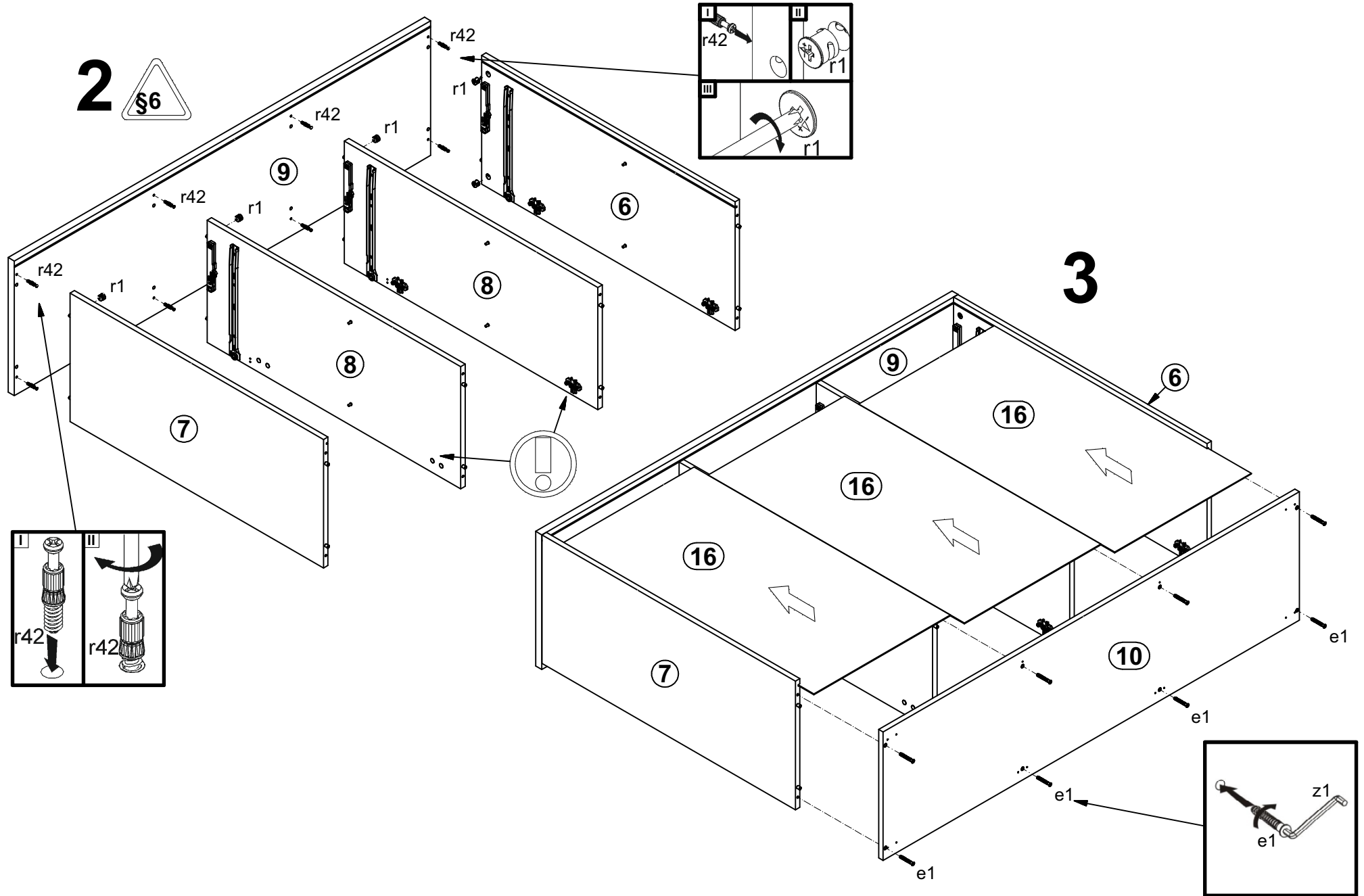
120 min

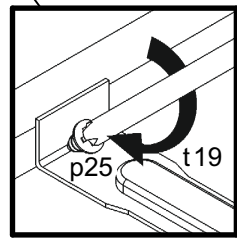
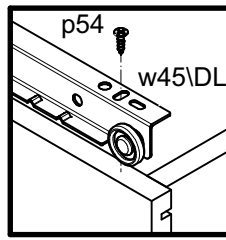
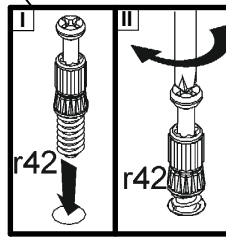
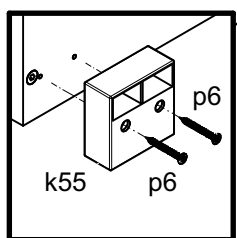
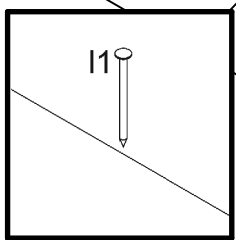
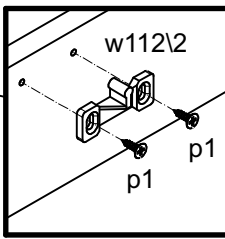
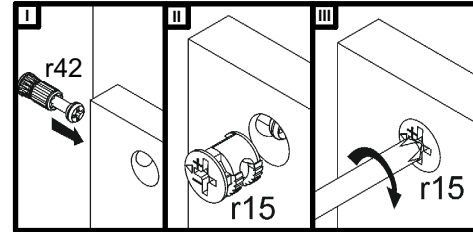
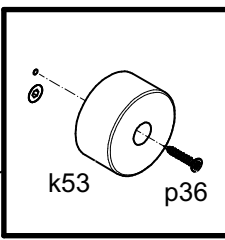
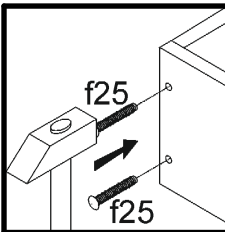
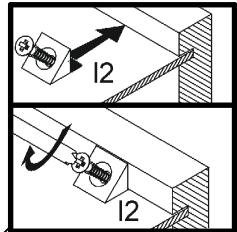
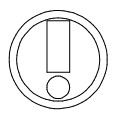
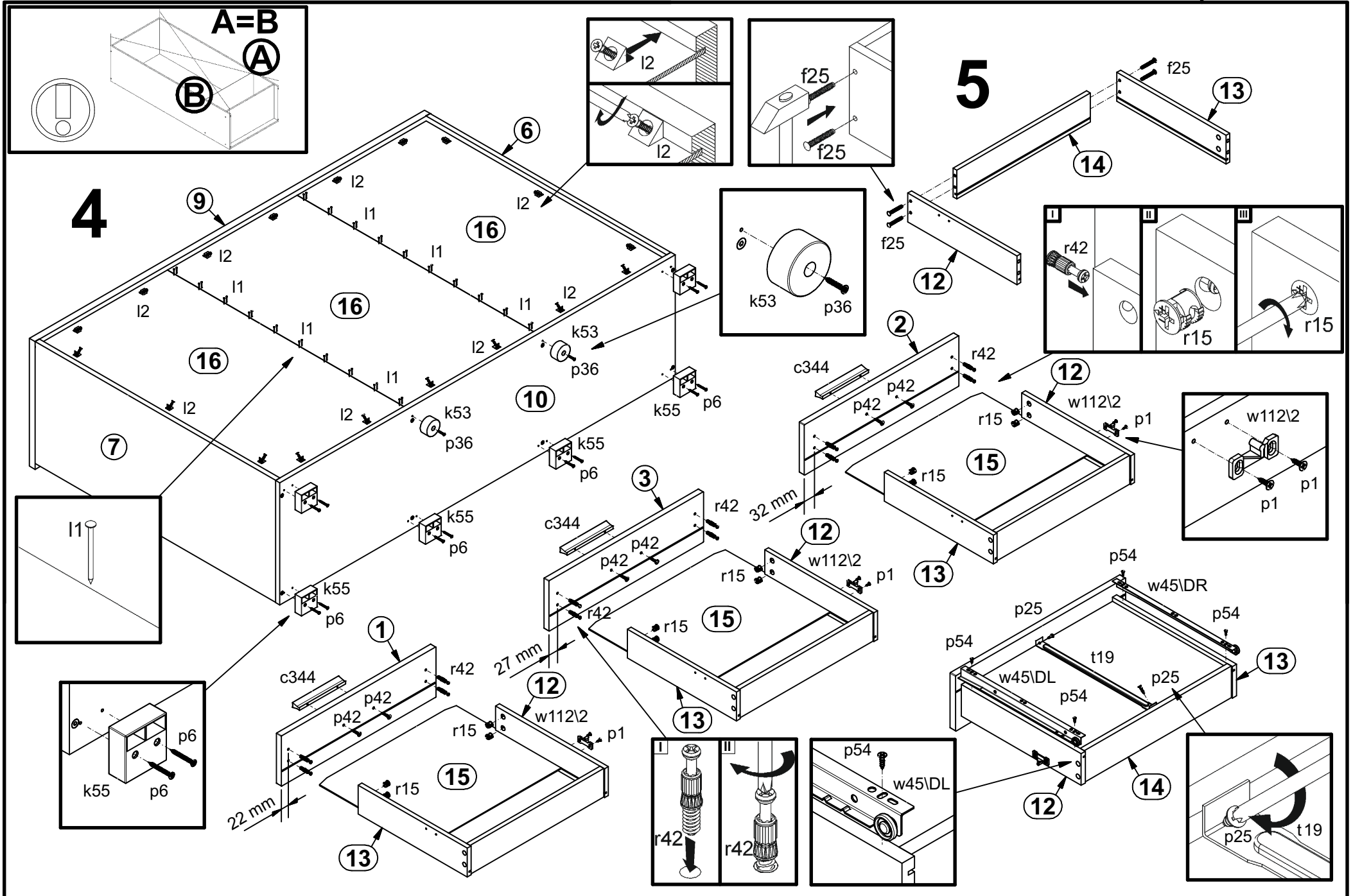


A	B	C (mm)	D
1	S183-016	496	140
2	S183-017	496	140
3	S183-018	496	140
4	S183-019	496	780
5	S183-020	496	780
6	S183-1112	913	401
7	S183-1113	913	401
8	S183-1114	913	381
9	S183-2216	1499	420
10	S183-2217	1499	401
11	S183-3314	477	371
12	S183-5507	350	80
13	S183-5508	350	80
14	S183-5512	429	80
15	S183-9920	439	348
16	S183-9921	923	492



4x a44	2x a68	4x b35	2x b47	6x c344	12x d1 ø5x17 mm	8x e1 ø7x50 mm	12x e3 ø6x13 mm	16x f1 ø8x30 mm	12x f25 ø6.5x40 mm	2x k53	6x k55	40x l1
18x i2	6x o21 silikon	12x p1 ø3.5x13 mm	6x p25 ø3.5x16 mm	2x p36 ø4x25 mm	12x p42 ø3.5x25 mm	12x p51 ø3.5x15 mm	12x p54 ø3x12 mm	6x p56 ø4x22 mm	12x p6 ø4x35 mm	8x r1 ø1.5x12 mm #16	12x r15 ø1.2x10.5 mm #12	20x r42
12x s4 ø5	3x t19 333 mm	3x w112 1	3x w112 2	3x w45 CL 350 mm	3x w45 CR 350 mm	3x w45 DL 350 mm	3x w45 DR 350 mm	1x z1	1x n26 1	1x p38 ø3.5x16 mm		





6

